



THE NEW GLE.

Mercedes-Benz



## KNOW YOUR WAY.

The new GLE: powerful, elegant and pioneering in every direction. Its restyled front including the diamond radiator grille with Mercedes-Benz pattern, in conjunction with the AMG Line exterior, ensures a powerful and sporty appearance. The new design of the daytime running lights adds additional highlights and at the same time ensures better visibility in the daytime.





## LEAVES A LASTING IMPRESSION: THE REAR END.

Brightly inspiring: the newly designed light signature with two horizontal blocks at the rear underlines the distinctive SUV character and the athletic tail end of the GLE. A wide range of light-alloy wheels with new designs in sizes from 48.3 cm (19 inches) to 55.9 cm (22 inches) completes the sporty, elegant design of the GLE.

## THE INTERIOR: EXCLUSIVE IN EVERY RESPECT.

The interior of the new GLE inspires with first-class comfort and high-quality materials for an exclusive feel-good ambience. Equipped with a new multifunction steering wheel and the latest-generation MBUX with Widescreen Cockpit, the GLE offers excellent operating comfort on every journey.



A high-angle, top-down view of the interior of a Mercedes-Benz GLE SUV. The second row of seats is folded down, creating a large, flat load compartment. The front seats and dashboard are visible in the background. The interior is dark-colored with some ambient lighting accents. The text is overlaid on the right side of the image.

YOU TAKE A SEAT,  
THE GLE GIVES YOU SPACE.

Familiarly generous dimensions and high variability: the GLE gives you the space you need and room for up to 7 people (optional). The second seat row is electrically adjustable on request and offers flexibility in the way the vehicle's load compartment is extended.

The image shows the front interior of a Mercedes-Benz GLE. The dashboard is a large, curved digital display showing navigation, phone, and radio functions. The steering wheel is on the left, and the center console features four square air vents with chrome louvers. The interior is finished with brown leather and a high-gloss brown wood trim. A teal ambient light strip runs along the dashboard and center console.

FINE CHROME.  
FINELY FINISHED. REFINED.

In the interior of the GLE, luxurious aesthetics meet progressive SUV character: for example in the form of the new, optional trim in high-gloss brown linestructure lime wood and the new square air vents with chrome louvres. Enjoy exclusive seating comfort thanks to the high-quality upholstery choices, available in new two-tone colour combinations.



## Smart Home Integration.

“Hey Mercedes, switch the lights off at home!” Connect your Smart Home system to your GLE and control compatible Smart Home products such as heating, lighting and blinds while on the move. With the MBUX voice assistant<sup>1</sup> this is done very conveniently by voice control.

<sup>1</sup>To use Smart Home Integration, the MBUX Voice Assistant must be activated and the customer's own compatible Smart Home provider account must be linked to the Mercedes me connect account. To use the Mercedes me connect services, you must create a Mercedes me ID and accept the Terms of Use for the Mercedes me connect services.



## MBUX.

Latest-generation infotainment: the MBUX multimedia system features a new user interface and makes the interior of the GLE even more digital and intelligent. Enjoy even more comfort and intuitive operation by voice, touch or gestures.



## Burmester® surround sound system.<sup>1</sup>

A listening experience in a new dimension. Experience first-class sound with the high-quality Burmester® 3D surround sound system. 13 high-performance speakers and a system power of 590 watts create an impressive sound backdrop, including multi-channel-format support for true surround sound with Dolby Atmos®. You can specifically optimise this for the front and rear seats to intensify the listening pleasure.

<sup>1</sup>Optionally selectable equipment depending on configuration.

## Panoramic sliding sunroof.<sup>1</sup>

A real open-air feeling: if desired, the electric and infinitely adjustable panoramic sliding sunroof provides fresh air when open. The opening height can be automatically adjusted to the current driving speed. Even when closed, it provides a pleasantly bright ambience in the interior.

## Third seat row for two people.<sup>1</sup>

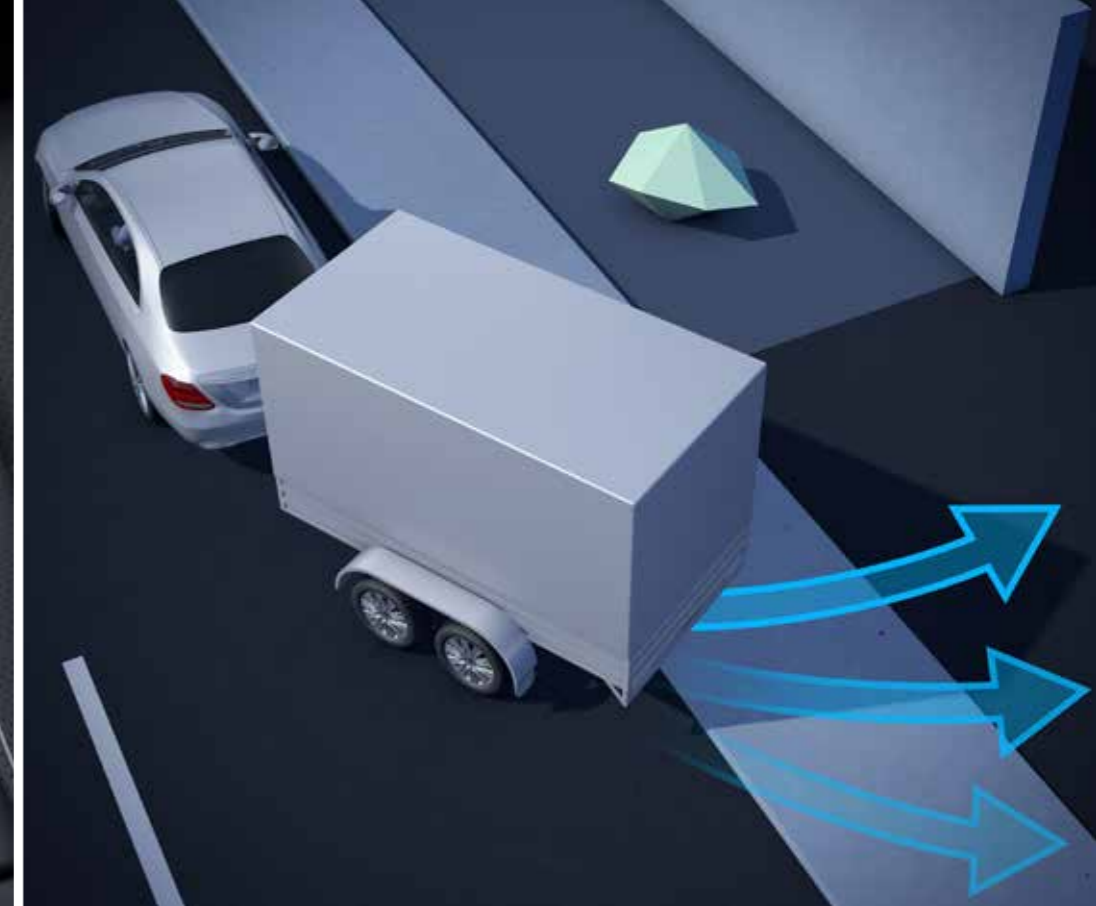
An additional seat row can be folded out at any time in your GLE if you so wish, offering room for two further passengers. This means that you can switch between extra load capacity and seats as needed. You can fold and unfold the seats separately and, thanks to the EASY-ENTRY system, your passengers can also access them conveniently. At the touch of a button, the second seat row can be moved forwards fully electrically.

<sup>1</sup>Optionally selectable equipment depending on configuration.

## Rear Seat Comfort Package Plus.<sup>1</sup>

Passengers in the rear enjoy particularly comfortable travel thanks to comfort extras such as the extended centre armrest and centre console. They can easily access various stowage compartments, connection points and the removable MBUX rear tablet. Thanks to the luxury centre armrest with its high-quality upholstered armrests, your rear-seat passengers can lean back in comfort. The extra-soft finish of the luxury head restraints with additional cushions furthermore promotes a relaxed posture for the head, neck and shoulder area.





## ENERGIZING AIR CONTROL.

Breathe easy: ENERGIZING AIR CONTROL<sup>1</sup> monitors the air quality for you with the help of air quality and fine dust sensors. A two-stage filter concept reduces the fine particles and a large proportion of further airborne pollutants in exemplary fashion. Depending on the measurement value, your Mercedes switches intelligently between fresh air and air-recirculation mode.

<sup>1</sup>Optionally selectable equipment depending on configuration.

## E-ACTIVE BODY CONTROL.

The intelligent E-ACTIVE BODY CONTROL<sup>1</sup> suspension can assess the speed, load and driving situation, and adjust the damping and level control separately for each wheel. For superb ride comfort and outstanding stability – both on and off the road, and on dry, wet or slippery carriageways.

## Off-Road Engineering Package.

With the Off-Road Engineering Package<sup>1</sup> you can adjust both the characteristics of the all-wheel drive and crucial suspension settings precisely to the current driving situation. Thanks to typical off-road components such as the variable suspension level, you receive active support in challenging off-road situations. This allows you to master e.g. steep inclines and declines as well as loose or slippery surfaces.

<sup>1</sup>Optionally selectable equipment depending on configuration.

<sup>2</sup>Our driver assistance and safety systems are aids and do not relieve you of your responsibility as a driver. Please take note of the information in the Owner's Manual and the system limits which are described therein.

## Trailer Manoeuvring Assist.

Save time and spare your nerves when manoeuvring: with the extended and camera-based Trailer Manoeuvring Assist<sup>1</sup> system, even less experienced trailer drivers can complete reversing manoeuvres calmly and confidently – even in difficult situations. Further support is offered by the updated trailer menu in the central display and the Trailer route planner for the navigation system.<sup>2</sup>

## GLE PLUG-IN HYBRIDS.

Extensive range, minimal charging time – the GLE, currently the largest SUV from Mercedes-Benz with plug-in hybrid drive, is available with a diesel or petrol engine. The GLE plug-in hybrids impress with an all-electric range of more than 100 km (WLTP), thanks to a larger battery. This allows you to drive without local CO<sub>2</sub> emissions in the city as well as on short journeys, and benefit from the independence and range of the combustion engine on long journeys.





## Standard equipment.

The exterior conveys strength and elegance. The generous proportions exude effortless superiority and safety. Chrome elements create stylish highlights. The progressively designed interior embodies a sense of sporty elegance. Generous dimensions, high-quality materials and a host of useful details form the basis for a luxurious atmosphere and comfortable travel.

### HIGHLIGHTS ON THE EXTERIOR

- Non-metallic or metallic paintwork
- Radiator grille with louvres painted in high-tech silver in SUV design with chrome insert and vertical struts in high-gloss black with integrated Mercedes star
- Aluminium-look roof railing
- Chrome Package: chrome-plated windowline trim strip, beltline trim strip and front/rear underride guards

### HIGHLIGHTS IN THE INTERIOR

- Multifunction sports steering wheel in nappa leather
- Upholstery in black ARTICO man-made leather or black Rough leather/leather, depending on engine variant
- Widescreen Cockpit, comprising central media display with touchscreen and instrument display
- MBUX multimedia system with LINGUATRONIC
- 2-zone THERMATIC automatic climate control
- Seat heating for driver and front passenger

## AMG Line.<sup>1</sup>

The expressive styling of the AMG Line exterior adds a thoroughly dynamic touch to your vehicle – for a clear differentiation from the base model. As such you can make a clear statement for powerful design. The AMG Line interior lends your vehicle a more visible and tangible sense of sportiness. It lets you make an emphatic statement and show immediately what matters to you: an ambience that is dynamic and exclusive in every detail.

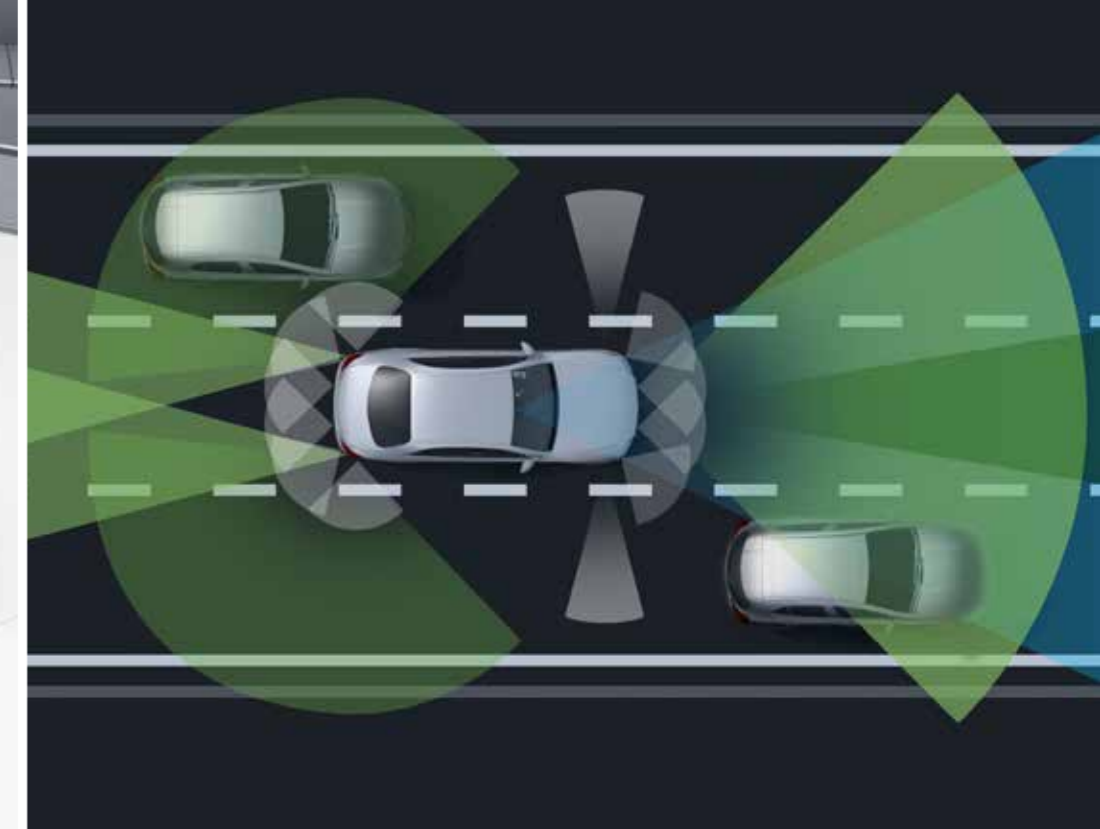
### HIGHLIGHTS ON THE EXTERIOR

- Diamond radiator grille with Mercedes-Benz pattern in chrome, integrated Mercedes star and single louvre painted in matt dark grey with chrome insert
- AMG Bodystyling with features including AMG-specific front and rear apron
- Brake system with larger brake discs on the front axle

### HIGHLIGHTS IN THE INTERIOR

- Sport seats for driver and front passenger with specific seat upholstery layout
- Upholstery in black ARTICO man-made leather/MICROCUT microfibre as standard
- Multifunction sports steering wheel in 3-spoke design with airbag cover in nappa leather, with flattened bottom section and perforations in the grip area
- AMG sports pedal assembly in brushed stainless steel with black rubber studs

<sup>1</sup>Optionally selectable equipment depending on configuration.



## Night Package.<sup>1</sup>

More character – expressive style. In combination with the AMG Line, the Night Package adds striking highlights in the form of exclusive black design features. These accentuate the sporty character and athletic design idiom of your vehicle. Ideal for individualists who appreciate an expressive design.

### HIGHLIGHTS

Diamond radiator grille with Mercedes-Benz pattern, integrated Mercedes star and single louvre painted in high-gloss black with chrome insert and black surround

50.8 cm (20-inch) AMG 5-twin-spoke light-alloy wheels painted in high-gloss black with a high-sheen finish, further AMG wheel variants up to 55.9 cm (22 inches) optional

AMG front apron with sporty air inlets and trim strip in high-gloss black

Inserts in the air inlets of the front bumper in high-gloss black

AMG rear apron with diffuser-look insert in black and trim strip in high-gloss black

Roof railing in matt black

Windowline trim strip, beltline trim strip and exterior mirror housing in black

Dark-tinted heat insulating glass from the B-pillar to the rear

<sup>1</sup>Optionally selectable equipment depending on configuration.

## Drive technology – systematically electrified.

The new engine generation of the GLE is more efficient and more powerful than ever before. Alongside the plug-in hybrids, the systematically electrified engine range also includes mild hybrids with 48-volt technology. The integrated starter alternator delivers an electric boost of up to 16 kW. This means that consumption and CO<sub>2</sub> emissions can be cut, while the driving experience is intensified thanks to electric start-up support.

<sup>1</sup>Our driver assistance and safety systems are aids and do not relieve you of your responsibility as a driver. Please take note of the information in the Owner's Manual and the system limits which are described therein.

## Assistance systems.

The optionally available Driving Assistance Package Plus can tangibly reduce the strain on the driver, particularly on long trips but also in confusing urban traffic. The improved functions include, for example, Active Distance Assist DISTRONIC<sup>1</sup>, Active Steering Assist<sup>1</sup> and Traffic Sign Assist<sup>1</sup>. A highlight in off-road terrain: the “transparent” bonnet, available as an extension of the optional Parking Package with 360° camera<sup>1</sup>, makes the area in front of the vehicle visible on the media display – a significant help in steep terrain.

# BUILT BOLD. MERCEDES-AMG GLE AND GLE COUPÉ.

The AMG models underscore the GLE's dedication to speed: in particular the exterior, the interior, the telematics and the technology have been enhanced. Details in the exterior design convey the AMG feeling even better and more expressively. The interior also adds highlights in terms of dynamics and sportiness. In the cockpit there are technological updates as well as refreshed design elements. Additional trim elements and upholstery colours are also available for selection. The MBUX multimedia system and the multifunction sports steering wheel feature the next technology generation - for even more intuitive operation.

[www.mercedes-amg.com](http://www.mercedes-amg.com)



Mercedes-AMG GLE 63 S 4MATIC+ (combined fuel consumption 12.7-12.3 l/100 km, combined CO<sub>2</sub> emissions 287-280 g/km.)<sup>1</sup>

<sup>1</sup>The stated figures are the determined "WLTP CO<sub>2</sub> figures" pursuant to Article 2 No. 3 of Implementing Regulation (EU) 2017/1153. Fuel consumption figures have been calculated on this basis.



AMG

## Technical data.

Displacement (cc)
Rated output <sup>1</sup> (kW [hp] at rpm)
Acceleration from 0 to 100 km/h (s)
Top speed (km/h)
Fuel consumption <sup>4</sup> (l/100 km)
Urban
Extra-urban
Combined
Combined CO <sub>2</sub> emissions <sup>4</sup> (g/km)
Emissions class <sup>5</sup> /Efficiency class <sup>6</sup>

### Diesel engines

XXX	XXX
XXX	XXX
XXX	XXX
XXX <sup>3</sup>	XXX <sup>3</sup>
XXX	XXX
XXX	XXX
XXX	XXX
XXX	XXX
XXX	XXX

### Petrol engines

XXX	XXX
XXX <sup>2</sup>	XXX <sup>2</sup>
XXX	XXX
XXX <sup>3</sup>	XXX <sup>3</sup>
XXX	XXX
XXX	XXX
XXX	XXX
XXX	XXX
XXX	XXX

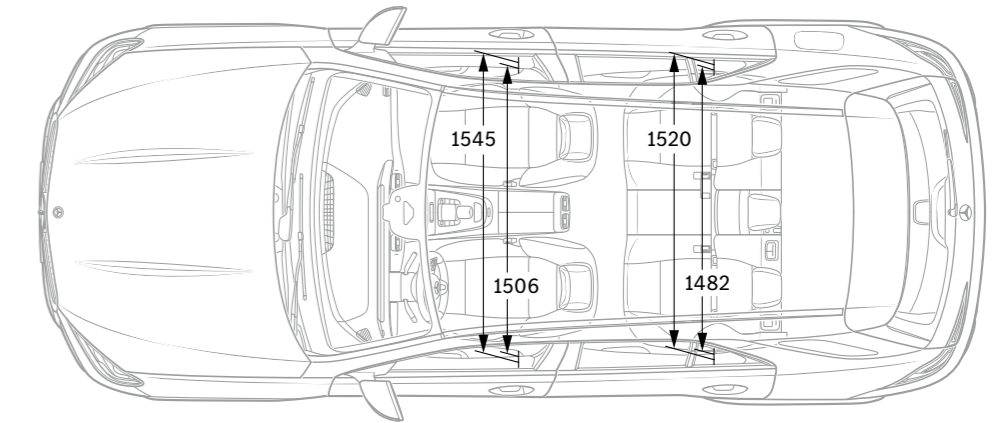
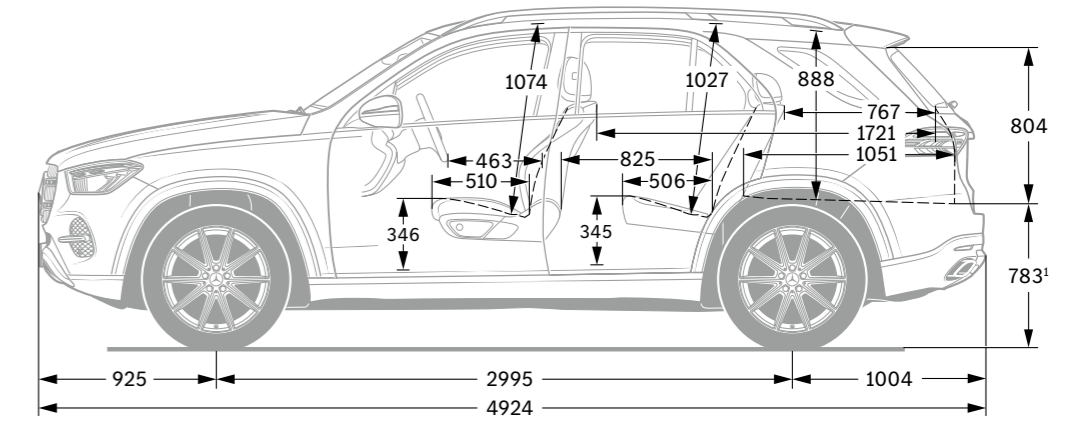
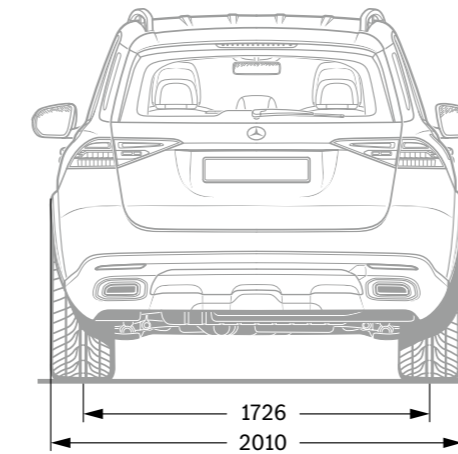
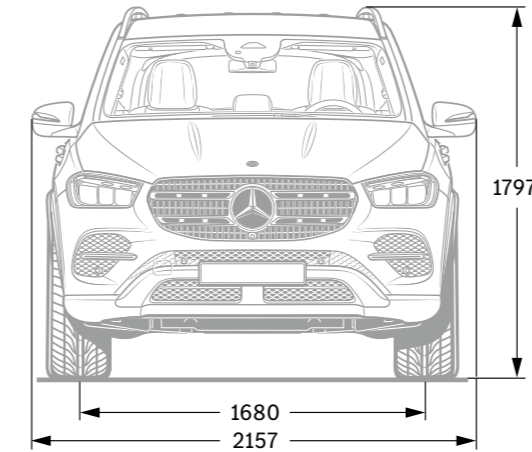
### Plug-in hybrid engine

XXX
XXX <sup>2</sup>
XXX
XXX <sup>3</sup>
XXX
XXX
XXX
XXX
XXX

The best for the engine:  
Mercedes-Benz genuine engine oils.

<sup>1</sup> Figures for rated output in accordance with Regulation (EC) No. 715/2007 in the currently applicable version. <sup>2</sup> Available for a brief period. <sup>3</sup> Electronically governed. <sup>4</sup> The figures shown were calculated according to the prescribed measuring method. They constitute the "NEDC CO<sub>2</sub> figures" pursuant to Article 2 No. 1 of Implementing Regulation (EU) 2017/1153. Fuel consumption figures have been calculated on this basis. More information about the official fuel consumption and the official specific CO<sub>2</sub> emissions of new passenger cars is available in the publication entitled "Leitfaden über den Kraftstoffverbrauch, die CO<sub>2</sub>-Emissionen und den Stromverbrauch neuer Personenkraftwagen" ["Guide on the fuel economy, CO<sub>2</sub> emissions and power consumption of all new passenger car models"], available free of charge at all retailers and from Deutsche Automobil Treuhand GmbH at [www.dat.de](http://www.dat.de). The figures are not based on an individual vehicle and do not constitute part of the product offer; they are provided solely for the purpose of comparison between different vehicle models. The figures will vary according to the selected optional features. <sup>5</sup> Information only valid within the European Union. Details may vary from country to country. <sup>6</sup> Calculated on the basis of the measured CO<sub>2</sub> emissions, taking into consideration the vehicle mass. Valid for Germany only. For further technical data, please visit [www.xxxxxx.xxx](http://www.xxxxxx.xxx)

## Dimensions.



<sup>1</sup> With steel suspension. Dimensions unladen. All figures in millimetres. The illustrated dimensions are mean values. They are valid for vehicles in basic specification and in unladen condition. Dimensions based on the GLE 450 4MATIC as an example.

**Please note:** changes may have been made to the product since the editorial deadline (14.04.2023). The manufacturer reserves the right to make changes to the design, form, colour and the product specification during the delivery period, provided these changes, while taking into account the interests of the vendor, can be deemed reasonable with respect to the purchaser. Where the vendor or the manufacturer uses symbols or numbers to describe an order or the subject of an order, no rights may be derived solely from these. The illustrations may show accessories and items of optional equipment which are not part of standard speci-

fication. This publication is distributed internationally. However, information regarding statutory regulations, legal requirements and taxation and the consequences thereof applies to the Federal Republic of Germany only and is correct at the time of the editorial deadline. For the definitive latest information, please contact your nearest authorised Mercedes-Benz AG sales partner.

**[www.xxxxxx.xxx](http://www.xxxxxx.xxx)**