



THE NEW GLB.

Mercedes-Benz



POWER OF POSSIBILITIES.

At home in any terrain: the clear lines and powerful proportions lend the new Mercedes-Benz GLB a striking appearance with off-road character. As a compact SUV, however, it offers far more than just a dynamic look and feel: the spacious, variable interior has room for up to seven people.¹



¹Optionally selectable equipment depending on configuration.



A STRONG IMPRESSION FROM THE WORD GO.

The characteristic front section is even more expressively styled, with standard all-LED headlamps and a new off-road radiator grille as well as a restyled bumper with a simulated underguard. The optional MULTIBEAM LED headlamps also light up the way ahead.



ICONIC DESIGN FROM ALL ANGLES.

The distinctive design of the rear section with its muscular shoulders and the restyled LED rear lamps underscores the off-road character. The new diffuser look of the bumper also helps to ensure that the full aura of the new GLB is also fully appreciated from behind.



STREETS AHEAD IN COMFORT.

What looks like off-road on the outside also feels like it on the inside. The functionally oriented, progressive design of the interior in the new Mercedes-Benz GLB combines sporty elegance with robustness and high quality. The high seat position in conjunction with luxury seats and upholstery in ARTICO man-made leather / fabric¹ and the new multifunction sports steering wheel are immediately pleasing.

¹Optionally selectable equipment depending on configuration.

A wide-angle, rear-facing view of the interior of a car, specifically the rear passenger area. The image shows two rows of black leather seats with white stitching. The front row consists of two seats, and the second row consists of three seats. The third row is not clearly visible, suggesting it is folded down or the view is from a perspective that makes it less distinct. The car's interior is dark, and the windows show a bright, overcast sky. The text "EXTENDS YOUR COMFORT ZONE." is overlaid in white, serif font on the left side of the image.

EXTENDS
YOUR COMFORT ZONE.

With the optional third seat row and the longitudinally adjustable rear seats¹ the new GLB offers lots of room for friends or a large family.

¹Optionally selectable equipment depending on configuration.



MAXIMUM FLEXIBILITY FOR YOUR EVERYDAY LIFE.

The load compartment has a capacity of up to 1805 litres (5-seater) and leaves the choice up to you: in addition to the optional longitudinal adjustment of the second seat row the inclination of the seat backrests is adjustable, saving space. All seats in the rear can also be folded down individually. EASY-PACK tailgate¹ and HANDS-FREE ACCESS¹ make loading and unloading even more convenient.

¹Optionally selectable equipment depending on configuration.



Digital Extras.

The MBUX Voice Assistant is now even more capable of engaging in dialogue and learning via activation of online services in the Mercedes me App¹. Over and above this, further vehicle functions can be activated via voice control. With the Digital Vehicle Key you can even securely transfer temporary drive authorisations to third parties via smartphone.

¹In order to use the Mercedes me connect services you must create a Mercedes me ID and consent to the Terms of Use for the Mercedes me connect services. The presented services and their availabilities and functionalities may in particular be dependent on the vehicle model, year of construction, special equipment selected and country.



MBUX of the latest generation.

Customised infotainment: intuitively controlled via speech, touch or gestures, the intelligent MBUX multimedia system can be seamlessly integrated into your digital life.



New wheel design.

The new 50.8 cm (20-inch) AMG light-alloy wheels¹ in an attractive design give the GLB a firm grip in any situation while emphasising its sporty and robust character. Thanks to the flush-positioned wheels in the voluminous wheel wells the powerful proportions of the off-road-oriented design are effortlessly supported.

¹Optionally selectable equipment depending on configuration.

Burmester® surround sound system.

Experience more performance and exclusivity with the legendary Burmester® sound¹. The speakers deliver first-class surround sound and feature stylish logos. You can specifically optimise the sound for the front and rear seats to intensify the listening pleasure. You can also play music in Dolby® Atmos quality.

Panoramic sliding sunroof.

Whether open or closed: with the panoramic sliding sunroof¹ you experience a wonderful feeling of freedom and enjoy a pleasantly bright ambience in the interior. When viewed from the outside, the large sliding sunroof likewise makes a unique visual impression, as it lends lightness and exclusivity to the exterior.

¹Optionally selectable equipment depending on configuration.

Sidebags in the rear.

The sidebags in the rear¹ can protect the chest area of passengers on the outer rear seats in the event of severe side impact. Together with the standard window airbags, they can help prevent injuries or reduce their severity. To achieve this, air cushions deploy between the door or the side wall trim and the vehicle occupant.



Standard equipment.

A compact SUV for every day – even without a single tick on the options list. The hallmark SUV radiator grille with wide louvres is a distinctive feature of the exterior of your GLB. Thanks to comfort suspension seats with the Seat Comfort Package you can travel in truly relaxed style. Numerous assistance systems¹ also support you as you drive.

¹Our driver assistance and safety systems are aids and do not relieve you of your responsibility as a driver. Please take note of the information in the Owner's Manual and the system limits which are described therein.

²Optionally selectable equipment depending on configuration.



Progressive.

With the Progressive design and equipment line² you can add highlights on and in your Mercedes in a targeted way. The visible tailpipe trims in chrome underscore the dynamic credentials of the SUV on the exterior. In the interior you have a larger selection of colours and materials to choose from for the seat covers.



AMG Line.

Demonstrate that you value sportiness. The distinctive AMG Bodystyling¹ is inspired by the expressive design idiom of Mercedes-AMG. Further elements in the interior such as the sports seats and the multifunction steering wheel in nappa leather reinforce this overall impression. The larger brake system supports sporty driving.

¹Optionally selectable equipment depending on configuration.



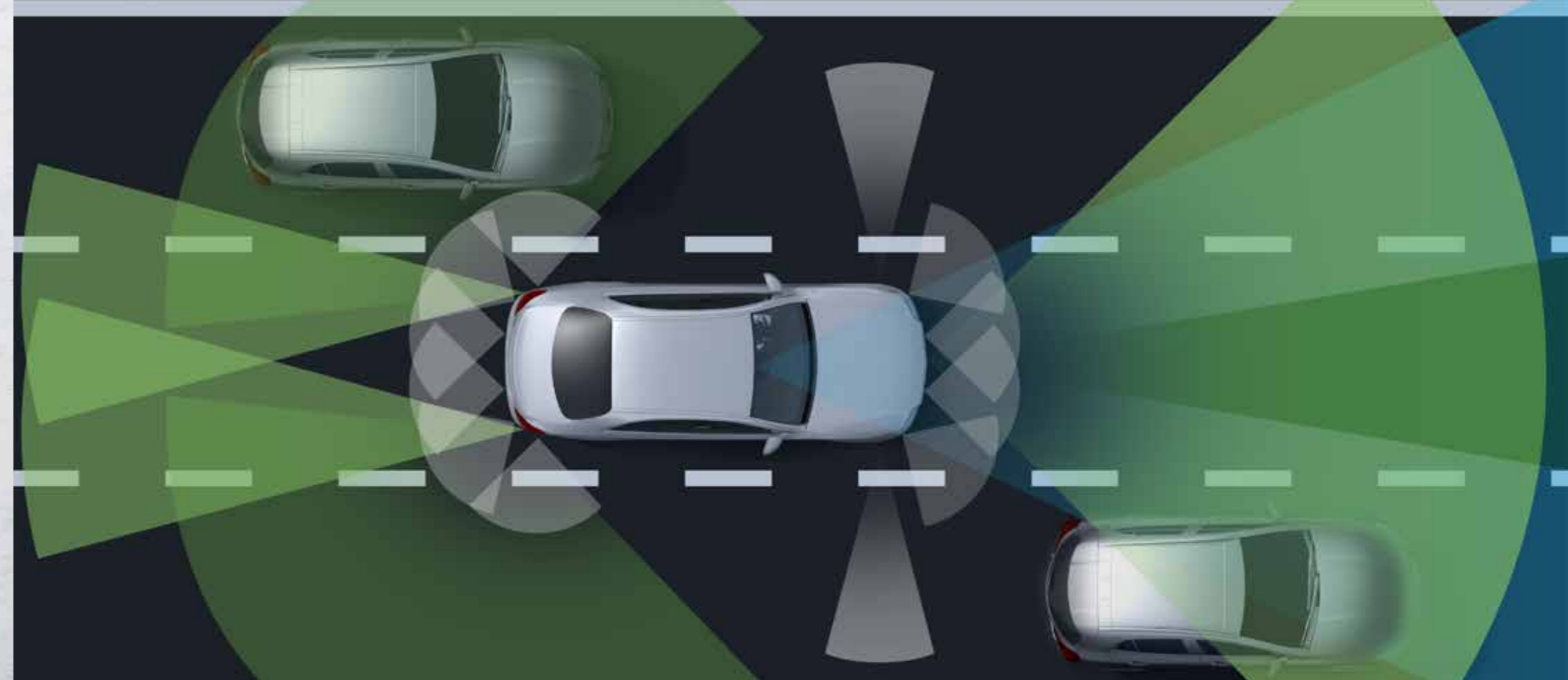
Night Package.

With the Night Package¹ you can create visual highlights and demonstrate your penchant for expressive design and individuality. The trim elements on the front and rear aprons, as well as the louvres on the radiator grille, are in high-gloss black for example. Depending on the vehicle's paint finish, this creates abrupt contrasts or smooth transitions.



48 V technology.

To increase efficiency and resultant reductions in fuel consumption, 48 V technology is now used for petrol engines. This technology operates the belt-driven starter generator and also delivers additional power and torque when required temporarily (for example when accelerating).



Driving assistance systems.

Your Mercedes-Benz driving assistance systems¹ support you as the situation requires with speed adaptation, steering and where there is a risk of collision, e.g. with the help of Active Distance Assist DISTRONIC¹ and Active Brake Assist. This ensures you reach your destination safely and stress-free.²

¹Optionally selectable equipment depending on configuration.

²Our driver assistance and safety systems are aids and do not relieve you of your responsibility as a driver. Please take note of the information in the Owner's Manual and the system limits which are described therein.

Technical data.

Displacement (cc³)
Rated output¹ (kW [hp] at rpm)
Acceleration from 0 to 100 km/h (s)
Top speed (km/h)
Fuel consumption⁴ (l/100 km)
Urban
Extra-urban
Combined
Combined CO₂ emissions⁴ (g/km)
Emissions class⁵/Efficiency class⁶

Diesel engines

XXX	XXX
XXX	XXX
XXX	XXX
XXX³	XXX³
XXX	XXX
XXX	XXX
XXX	XXX
XXX	XXX
XXX	XXX

Petrol engines

XXX	XXX
XXX²	XXX²
XXX	XXX
XXX³	XXX³
XXX	XXX
XXX	XXX
XXX	XXX
XXX	XXX
XXX	XXX

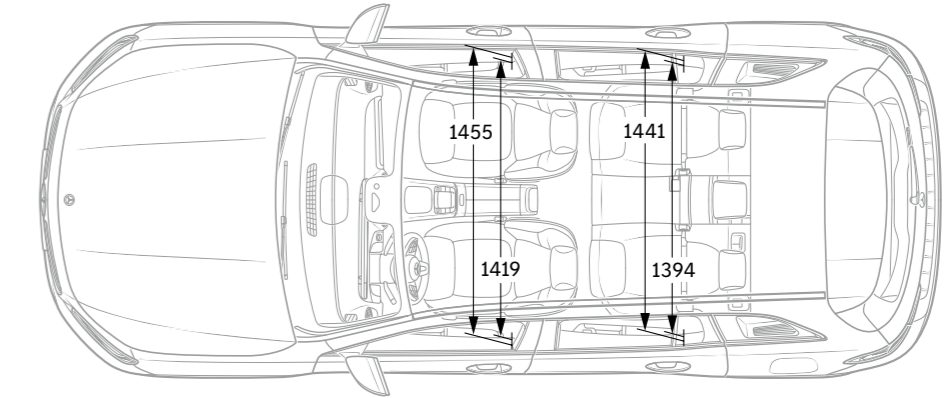
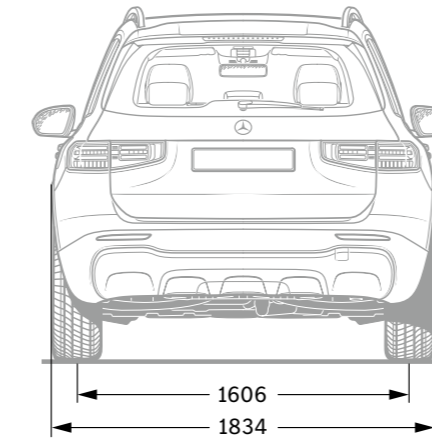
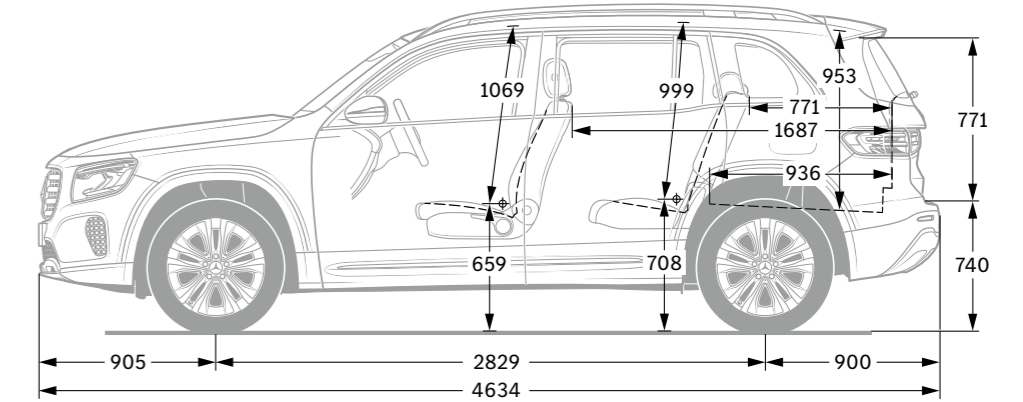
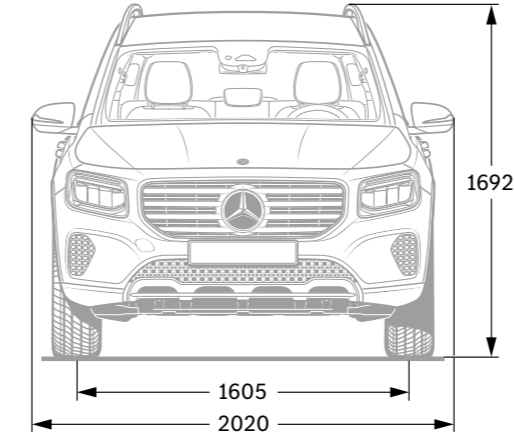
Plug-in hybrid engine

XXX
XXX²
XXX
XXX³
XXX
XXX
XXX
XXX
XXX

The best for the engine:
Mercedes-Benz genuine engine oils.

¹ Figures for rated output in accordance with Regulation (EC) No. 715/2007 in the currently applicable version. ² Available for a brief period. ³ Electronically governed. ⁴ The figures shown were calculated according to the prescribed measuring method. They constitute the "NEDC CO₂ figures" pursuant to Article 2 No. 1 of Implementing Regulation (EU) 2017/1153. Fuel consumption figures have been calculated on this basis. More information about the official fuel consumption and the official specific CO₂ emissions of new passenger cars is available in the publication entitled "Leitfaden über den Kraftstoffverbrauch, die CO₂-Emissionen und den Stromverbrauch neuer Personenkraftwagen" ["Guide on the fuel economy, CO₂ emissions and power consumption of all new passenger car models"], available free of charge at all retailers and from Deutsche Automobil Treuhand GmbH at www.dat.de. The figures are not based on an individual vehicle and do not constitute part of the product offer; they are provided solely for the purposes of comparison between different vehicle models. The figures will vary according to the selected special equipment. ⁵ Information only valid within the European Union. Details may vary from country to country. ⁶ Calculated on the basis of the measured CO₂ emissions, taking into consideration the vehicle mass. Valid for Germany only. For further technical data, please visit www.xxxxxx.xxx

Dimensions.



All figures in millimetres. The dimensions shown are mean values. They are valid for vehicles with standard equipment and in unladen condition.

Please note: changes may have been made to the product since the editorial deadline (23.06.2023). The manufacturer reserves the right to make changes to the design, form, colour and the product specification during the delivery period, provided these changes, while taking into account the interests of the vendor, can be deemed reasonable with respect to the purchaser. Where the vendor or the manufacturer uses symbols or numbers to describe an order or the subject of an order, no rights may be derived solely from these. The illustrations may show accessories and items of optional equipment which are not part of standard specification.

This publication is distributed internationally. However, information regarding statutory regulations, legal requirements and taxation and the consequences thereof applies to the Federal Republic of Germany only and is correct at the time of the editorial deadline. For the definitive latest information, please contact your nearest authorised Mercedes-Benz dealer.

www.xxxxxx.xxx